



PHILIPPINE HEART CENTER
East Avenue, Quezon City

SUPPLEMENTAL BID BULLETIN No. 030-2023

SUBJECT : Modification in the Bidding Documents

**PROJECT/S : 2 pcs. Cadaver Transporter/Carrier (Re-Bid)
(1 Adult & 1 Pedia) - ITB No. 039.23**

To ensure that the transactions are comparatively advantageous to the interests of the PHC, the originally pre-issued bidding documents, thus, revisions/changes are introduced.

Page No/ Item No.	PHC- Technical Specification	Clarifications/Amended "Should be read as"
Page 10	Delivery Period = 60 calendar days	Delivery Period = 90 calendar days
	For Inclusion:	Layout of the Cadaver Transporter/Carrier

This Supplemental Bid Bulletin is hereby issued to modify the original parameters as stated therein. All other requirements previously stated on the bid documents must be complied.

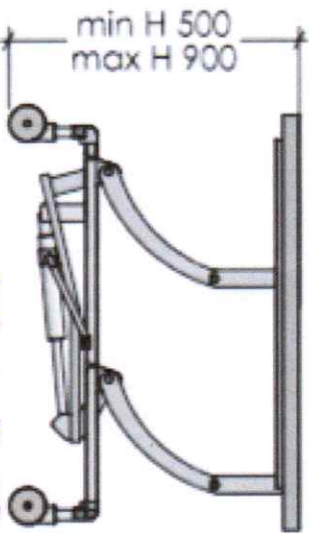
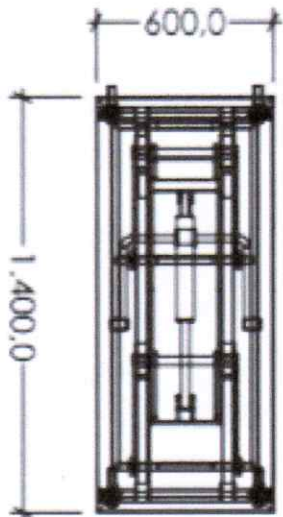
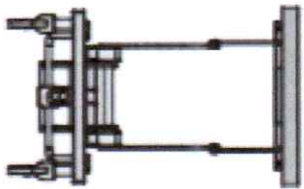
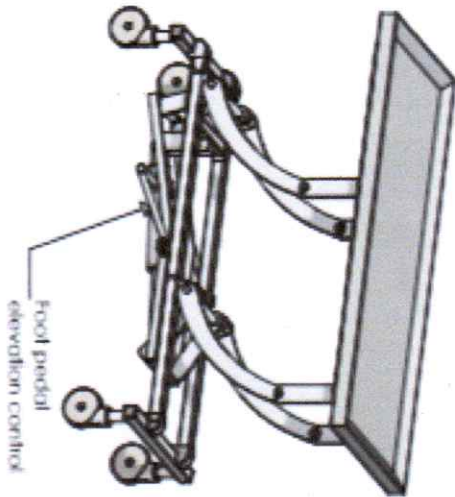
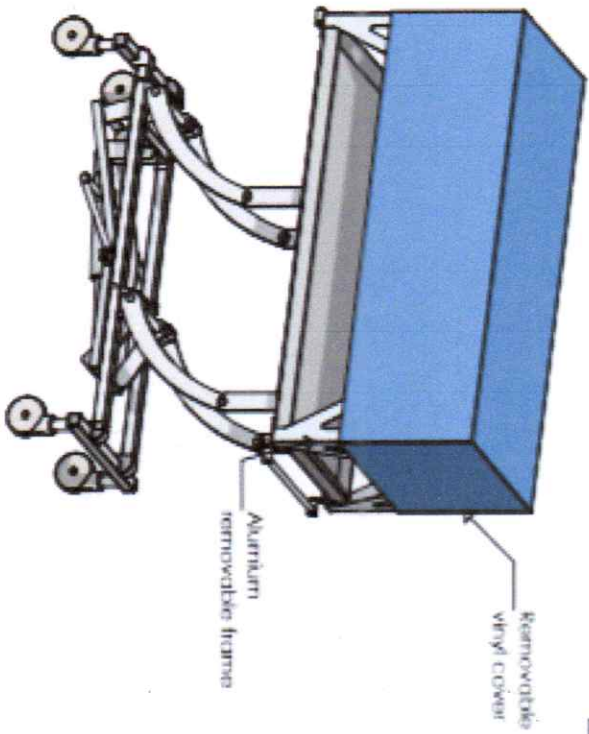
Please be guided accordingly.

Approved. Done this 18th day of May 2023, BAC Office, PHC.

MARIETTA A. VELASCO, RN, MAN, MBAH
Chairman, BAC for Pharmaceutical Supplies & Med Equipment

FEATURES

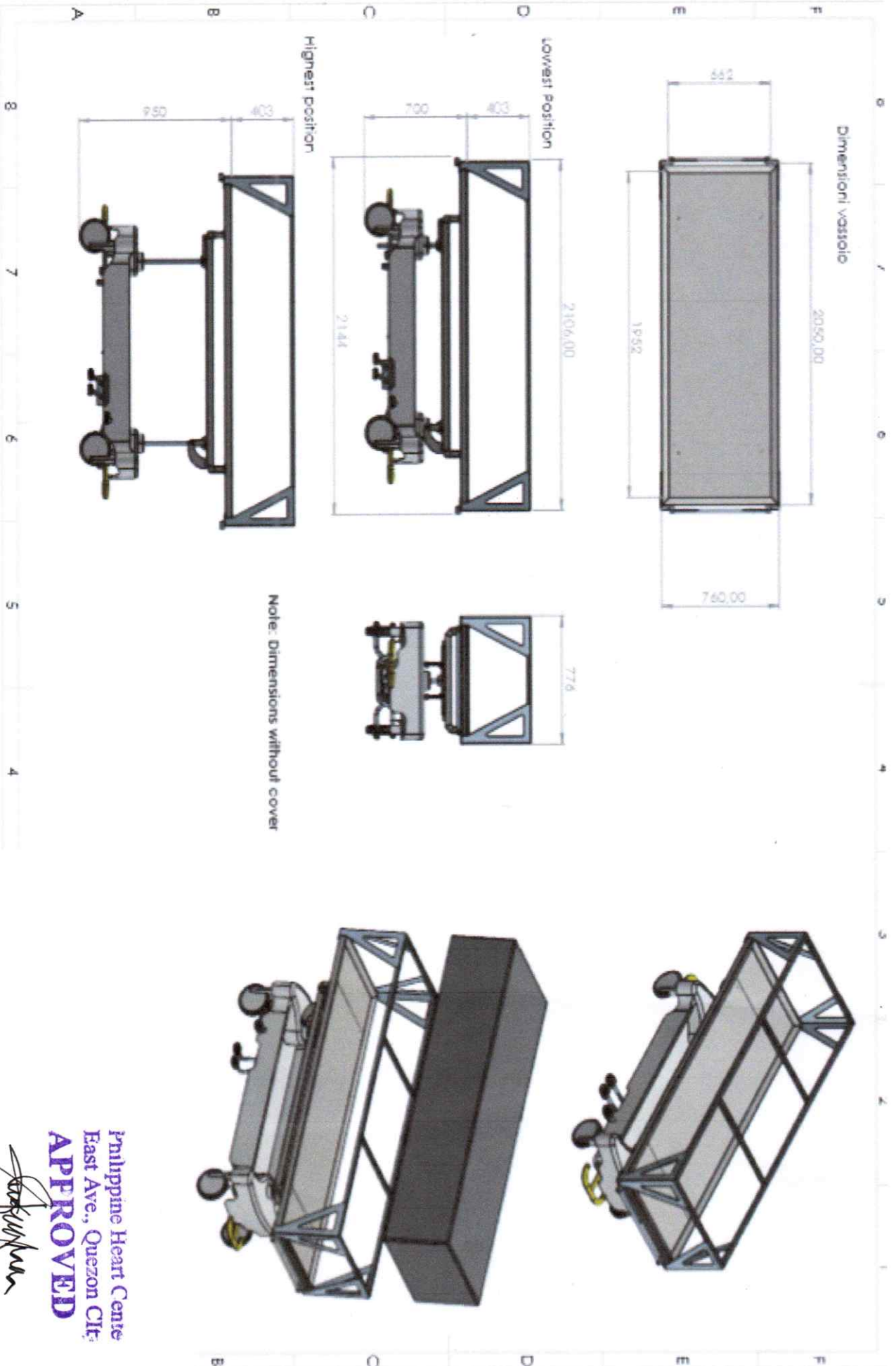
- Stainless steel AISI304 Top
- Power coated steel elevating structure
- 4 heavy duty swivel/lockable casters
- Adjustable removable frame
- Removable vinyl cover (white or blue color)



Philippine Heart Centre
East Ave., Quezon City

APPROVED

[Signature]
Head User's Signature



Philippine Heart Centre
 East Ave., Quezon City
APPROVED
[Signature]
 MD-Usdr's Signature